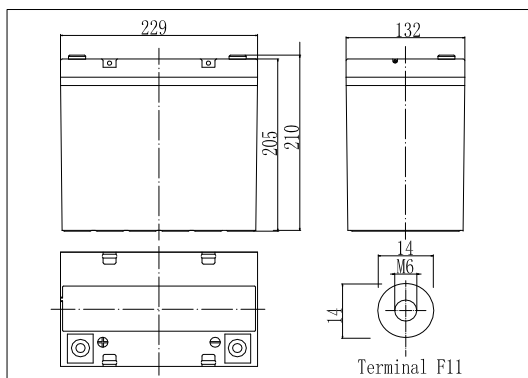
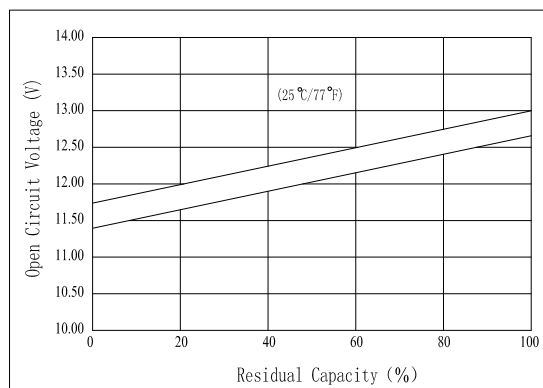
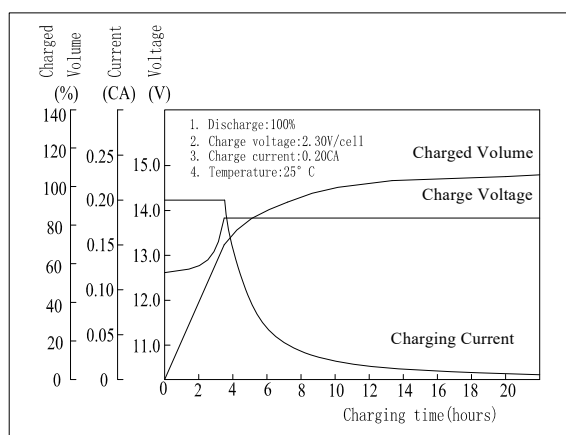


Dimensions

Specifications

| | | |
|---|--------------|-------------------------|
| Nominal Voltage | | 12 V |
| Capacity(20HR, 25°C) | | 60Ah |
| Dimension | Length | 229mm (9.02inch) |
| | Width | 132mm (5.30inch) |
| | Height | 208mm (8.19inch) |
| | Total Height | 230mm (9.06inch) |
| Approx. Weight | | 17.3kg (38.2lbs) |
| Internal resistance (Fully charged, 25°C) | | Approx.5.7mΩ |
| Capacity affected by temperature (10HR) | 40°C | 102% |
| | 25°C | 100% |
| | 0°C | 85% |
| | -15°C | 65% |
| Self-discharge (25°C) | 3 month | Remaining Capacity: 91% |
| | 6 month | Remaining Capacity: 82% |
| | 12 month | Remaining Capacity: 65% |
| Nominal operating temperature | | 25°C±3°C(77°F±5°F) |
| Operating temperature range | | -15°C~50°C (5°F~122°F) |
| Float charging voltage(25°C) | | 13.50 to 13.80V |
| Cyclic charging voltage(25°C) | | 14.50 to 14.90V |
| Maximum charging current | | 18A |
| Terminal material | | Copper |
| Maximum discharge current | | 600A(5 sec.) |

- ◆ Absorbent glass mat technology;
- ◆ Recognized by UL & CE;
- ◆ ABS container UL94 HB;
- ◆ Floating life at 20°C designed for 10-12 years sec. Eurobat

The Relationship for Open Circuit Voltage and Residual Capacity (25°C)

Charging Characteristics(25°C)

Cycle Life(25°C)
