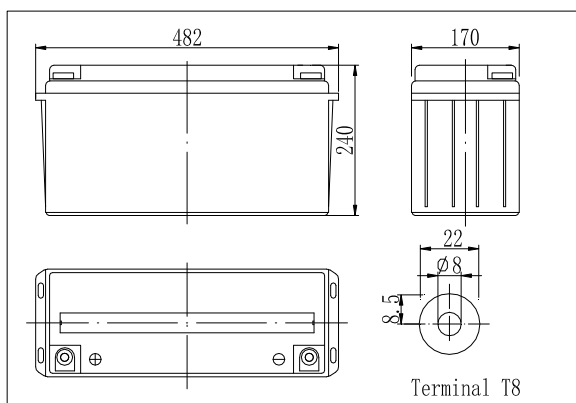
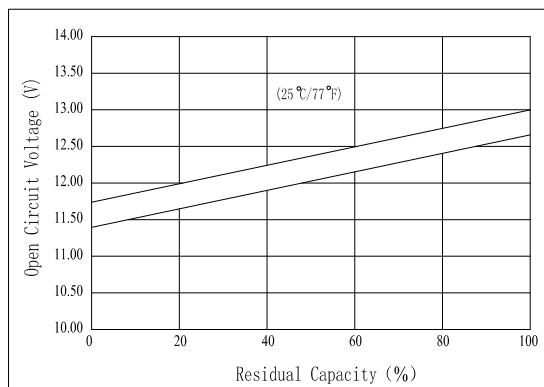


## Dimensions



## The Relationship for Open Circuit Voltage and Residual Capacity (25°C)

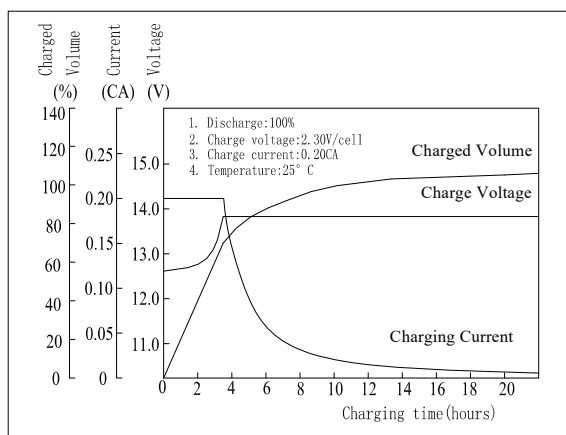


## Specifications

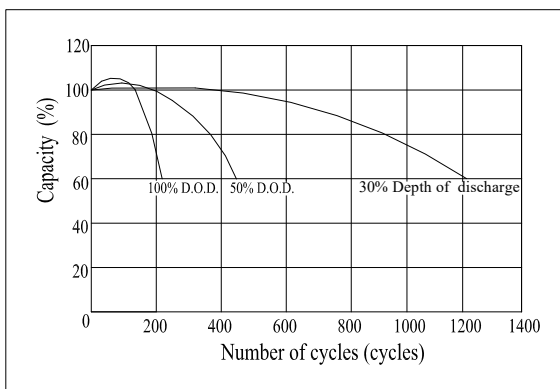
Nominal Voltage		12 V
Capacity(10HR, 25°C)		150 Ah
Dimension	Length	482mm (19.00inch)
	Width	170mm (6.69inch)
	Height	240mm (9.45inch)
	Total Height	240mm (9.45inch)
Approx. Weight		46.4kg (102.lbs)
Internal resistance (Fully charged, 20°C)		Approx.2.9mΩ
Capacity affected by temperature (10HR)	40°C	102%
	25°C	100%
	0°C	85%
	-15°C	65%
Self-discharge (25°C)	3 month	Remaining Capacity: 91%
	6 month	Remaining Capacity: 82%
	12 month	Remaining Capacity: 65%
Nominal operating temperature		25°C±3°C(77°F±5°F)
Operating temperature range		-15°C~50°C (5°F~122°F)
Float charging voltage(25°C)		13.50 to 13.80V
Cyclic charging voltage(25°C)		14.50 to 14.90V
Maximum charging current		45A
Terminal material		Copper
Maximum discharge current		1000A(5 sec.)

- ◆ Absorbent glass mat technology;
- ◆ Recognized by UL & CE;
- ◆ ABS container UL94-V0 Flame Retardant

## Charging Characteristics(25°C)



## Cycle Life(25°C)



Note: Floating life at 20°C designed for 10-12 years.